

# Engineering & Design: Miniature Die Casting

SECTION

**4B**

Section Contents	NADCA No.	Format	Page
<b>Frequently Asked Questions (FAQ)</b>			<b>4B-2</b>
<b>1 Introduction</b>			<b>4B-2</b>
<b>2 Typical Design and Tolerance Data</b>	<b>S-4B-1-15</b>	<b>Standard</b>	<b>4B-3</b>
<b>3 Miniature Die Casting Machines</b>			<b>4B-4</b>
<b>4 Miniature Die Casting Dies</b>			<b>4B-4</b>
<b>5 Design Considerations for Miniature Die Castings</b>			<b>4B-7</b>
5.1 Weight Reduction			4B-7
5.2 Ribs			4B-7
5.3 Shrinkage			4B-7
5.4 Draft			4B-7
5.5 Uniform Cross Section			4B-8
5.6 Fillets & Radii			4B-8
5.7 Surface Finish			4B-8
5.8 Parting Line & Ejector Pins			4B-8
5.9 Part Identification			4B-9
5.10 Side Cores			4B-9
5.11 Combining Functions			4B-9
5.12 Variations			4B-9
5.13 Skin			4B-10
5.14 Gears			4B-10
5.15 Threads			4B-10
5.16 Insert Die Casting			4B-10
5.17 Crimping, Staking, Bending and Forming			4B-10
<b>6 Available Finishes</b>			<b>4B-11</b>
<b>7 Castable Zinc Alloys</b>			<b>4B-11</b>
<b>8 Glossary of Miniature Die Casting Technology</b>			<b>4B-12</b>

**4B**

# Engineering & Design: Miniature Die Casting

## Frequently Asked Questions (FAQ)

- 1) What is the difference between Section 4A and Section 4B, Miniature Die Casting?  
See page 4B-2, Introduction.
- 2) What is a Miniature Die Cast Machine?  
See page 4B-4, Miniature Die Cast Machines.
- 3) How tight can dimensional tolerances be held for mini-zinc castings?  
See page 4B-3, Typical Design and Tolerance Data.

## 1 Introduction

Miniature die casting is a precision fabricating process similar to conventional hot chamber die casting, but capable of much faster cycle times, tighter tolerances and minimal secondary operations. It is often possible to combine multiple assembled components in a single cast piece with significant total cost reduction. The process is capable of producing castings ranging in weight from fractions of an ounce up to 16 ounces. Tolerances less than .001 of an inch with virtually no “part to part” dimensional variation are routinely achieved. Miniature die casting can yield flash-free, net-shape components of complex design from a variety of metals, specifically zinc, zinc-aluminum and magnesium. Zinc die cast components are often used “as-cast” with no further treatment, however, various surface finishes can be applied to increase corrosion resistance, provide aesthetic appeal, and/or improve mechanical properties.

Cycling up to 100 times per minute, automated, hot chamber, direct injection die casting machines produce a component ready for tumble degating and subsequent shipment. Generally, single cavity dies are preferred but when large volumes are required multiple cavity dies are used. The single cavity principle insures that all parts are exactly alike. This can be a very important consideration when automatic assembly equipment is used. High production rates from single cavity tooling and the precision inherent in the machines, have combined to make this process essential in numerous industries.

It is not uncommon for finished castings to cost as little as \$.050 USD. Complete one time tooling charges range from \$7,000 to \$75,000 depending on the complexity of the part and cavity configuration. Miniature die casting has been successful for over 50 years and technological advances continue to expand process capabilities with each year. Consult your miniature die caster regarding your small component needs. There is probably a way he can save you time and money.

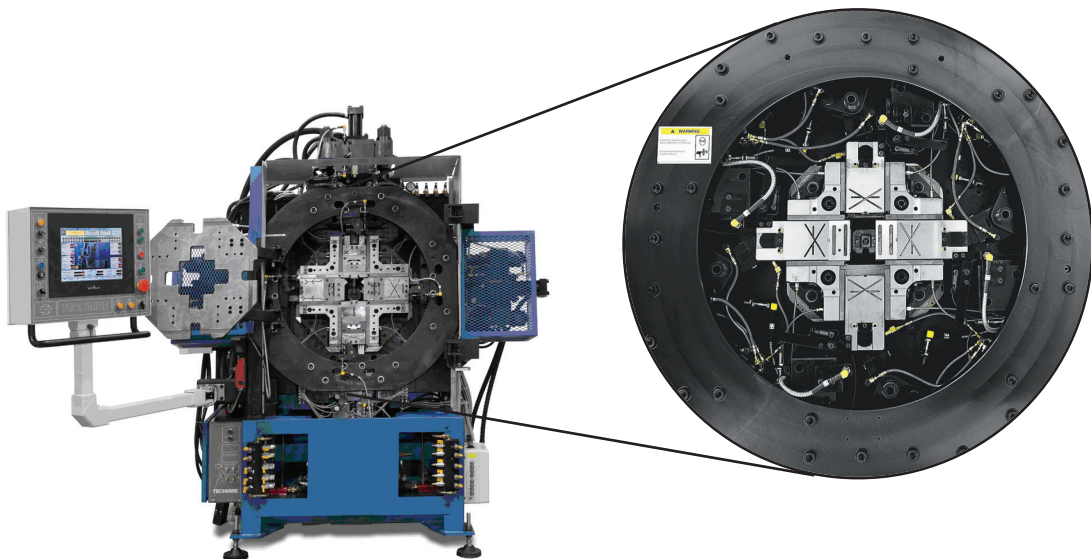


Figure 4B-1: 44NTX multiple slide die casting machine. Image courtesy of Technire

## 2 Typical Design and Tolerance Data

Because of their size and the specialized machines used, miniature die castings can be produced to closer dimensional tolerances than larger castings. One of the advantages of miniature die casting is that 'part to part' variations are virtually nonexistent.

Tolerances on hole locations and other details that are influenced by shrinkage are obviously easier to hold on small parts. Tooling is crucial to successful miniature die casting (see page 4B-4 Miniature Die Casting Dies) and when designed and built properly can produce castings that are clean, flash-free and ready-to-use without secondary operations. This leaves the hard dense surface of the casting undisturbed and thus increases wear resistance and strength.

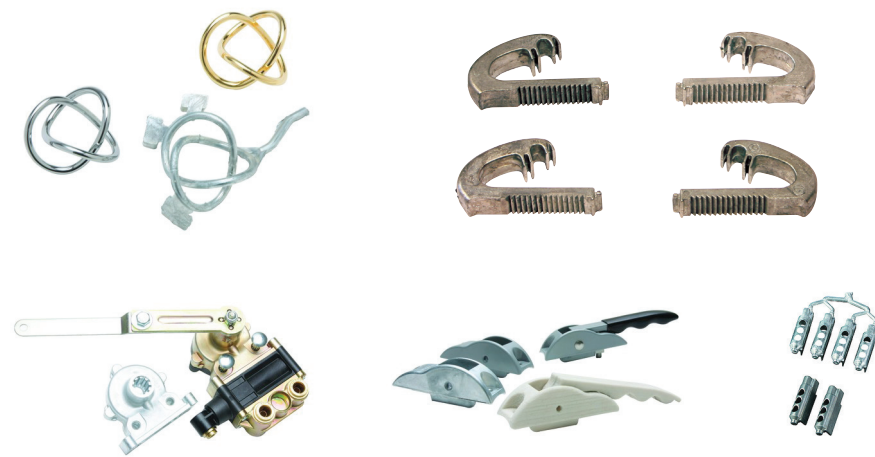


Figure 4B-2 Examples of mini-zinc castings.

**Note:** Tolerances given below have been achieved and are strictly applied to multiple slide, miniature die casting. The values may vary with size, design, and configuration of the component. Please consult your die caster for establishing tolerances for specific part features.

Linear Dimension	+/-0.0008" up to 1" and +/-0.001 for each additional inch	+/-0.020mm up to 25.4mm" and +/-0.025 for each additional 25.4mm
------------------	--	--

**The following values are typical for a 1.18" (30mm) component.**

Flatness	0.002"	0.05 mm
Straightness	0.001"	0.03 mm
Circularity	0.001" (// to parting line)	0.03 mm (// to parting line)
Angularity	0.001 in/in	0.001 mm/mm
Concentricity	0.002" (// to parting line)	0.05 mm (// to parting line)
Minimum Wall Thickness	0.020"	0.50 mm
Surface Finish (See paragraph 5.7)	to 32 to 64 microinches	0.8-1.6 microns
Gears (See paragraph 5.14)	AGMA 6 - AGMA 8	
Threads-External As-Cast (See paragraph 5.15)	2A	6g

**Note:**

It is important to note that this section covers tolerances that are achievable for both standard and precision die castings. However, in today's six sigma world, capability may still be a question. Die cast tools are often built to allow for maximum tool life and process variations that can detract from the process and actual tool capability. Six sigma variation and CPK should be discussed with the die caster in advance of tool construction. Frequent repeatability (CP rather than CPK) is the goal in the as-cast state. To build a tool at nominal dimensions to get a good CPK will lead to shorter tool life and added rejects to the die caster for process variations.

# Engineering & Design: Miniature Die Casting

## 3 Miniature Die Casting Machines

Miniature die casting machines may be small versions of traditional die casting machines or can be what is referred to as multiple-slide machines (see Figure 4B-1). These machines are made by several different manufacturers around the world. State of the art technology is available in these completely automated, computer controlled machines. Some die casters custom build their own machines or modify commercial machines to better meet the needs of their customers. Miniature die casting machines commonly use two to four slides. Five and even six slides have been used in very complex applications. The most common “multiple-slide” machine is built to accommodate a two inch square die, but machines made for four, six and eight inch square dies are also utilized.

With four sliding dies forming the details of a component, very intricate features are relatively easy to cast to extremely tight tolerances that are nearly flash-free. Operating at approximately 2000 psi injection pressure, a two inch square, four slide machine, can cycle 100 times per minute. Although average running speeds generally are in the 15-25 cycles per minute range. Pneumatic and/or hydraulic cylinders are used to inject the molten metal into the cavity as well as move the slides in and out. Some larger shots may require the use of hydraulic cylinders in order to accommodate necessary metal pressure and die lock up pressures. Smaller castings require less metal pressure to fill properly and less time to solidify. Usually a blue print of the component is enough to indicate what type of machine is needed to meet specified requirements.

## 4 Miniature Die Casting Dies

As with any form of die casting, miniature die cast tooling requires several basic considerations when designing a die to best meet your needs. Remember your die caster can make this very easy for you since they have specific machine and process requirements that must be addressed. The most obvious factors are: the shape or geometry of the part, the physical size of the part, the part weight and the production requirements.

The shape or geometry of a part is probably the most important issue to be considered because the part must be castable and still maintain its intended function. Usually a component(s) in an assembly can be engineered to develop a practical part both castable and functional. If the parts intended function can not be maintained, modifications mentioned after this section are extremely important when developing a part. Your die caster will be able to advise on the most cost effective way to meet your needs.

The physical size of the part is one of the first factors considered in designing the die. There must be an adequate amount of “shut off” steel outside the cavity that forms the part in order to contain the metal during the injection phase. The amount of shut off steel necessary can vary. A good rule of thumb is to maintain a minimum of 15% of the die head size per side (ex: 4” x 4” die head \* 15% = 0.60 shut off per side). Therefore the part length and width should not exceed 2.8” x 2.8” if intended for a standard 4” x 4” die (fig. 4B-3).

The part weight or volume of metal required will influence the type of die used. A heavier part may effectively eliminate the use of a pneumatic machine and require a hydraulically operated machine. Generally, air machines can consistently produce good quality zinc castings up to 2 oz. Hydraulic machines are used when exceeding 2 oz. Air is usually preferred over hydraulics because the machine can cycle approximately 30% faster. This allows for an improved piece part price.

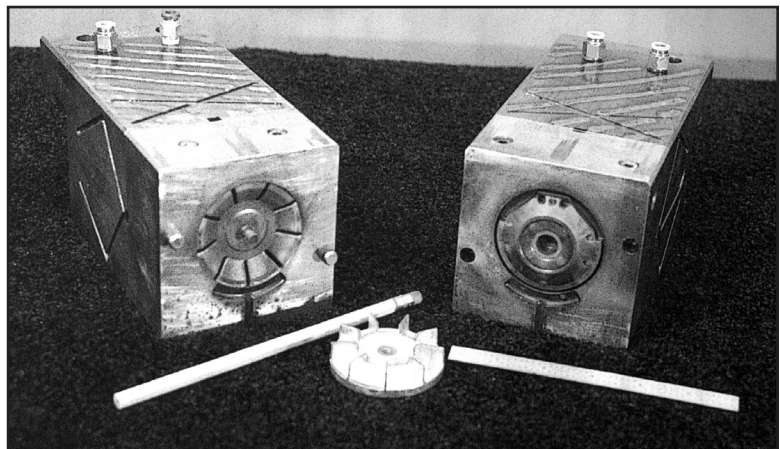


Figure 4B-3 Example of a 4” x 4” die.

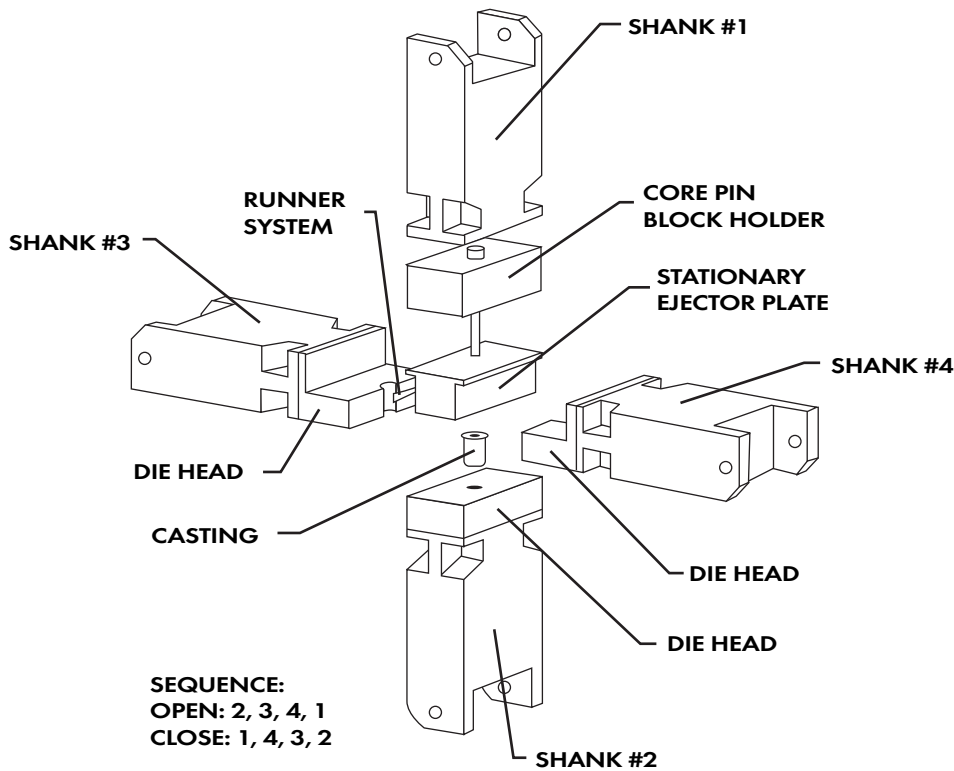


Figure 4B-4 Basic components of a miniature die casting die.

The production requirements will determine if miniature die casting is the right process to consider, and if so, should multiple cavities be used. When high volume production is a must, multiple cavity dies should be addressed. If casting tolerances are extremely tight, with stringent cosmetic callouts, it may be necessary to limit cavity configurations in order to meet these requirements. Depending on casting complexity, generally, fewer cavities means better attention to strict detail.

The basic components of a miniature die casting die are depicted in figure 4B-4. A die and a shank comprise a slide. This illustration shows a four slide die using an ejector plate to strip the casting from the die. The other method of ejection is to use standard ejector pins, which tend to leave marks on

the castings. Both are acceptable and common practices. The decision on which type to use must be addressed during the design stages. The machine is programmed to move the slides in and out to a specific sequence. This illustration would have the top slide (ejector) come in first after the die is sprayed with lubricant followed by the bottom slide, then the left or right slides last. The metal is then injected from beneath the die using the hot chamber principle. A typical gating system is shown in figure 4B-5. After a very brief solidification period, the slides cycle out in the reverse sequence allowing the ejector plate to strip the casting free and be blown into a container where it can be transported to a degating operation.

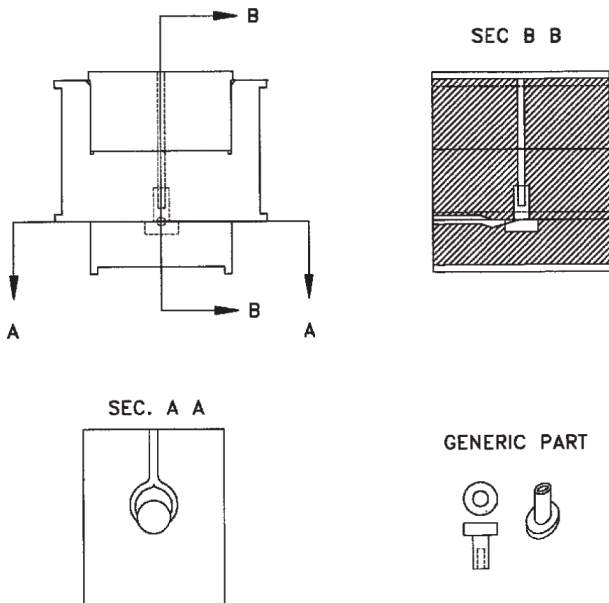
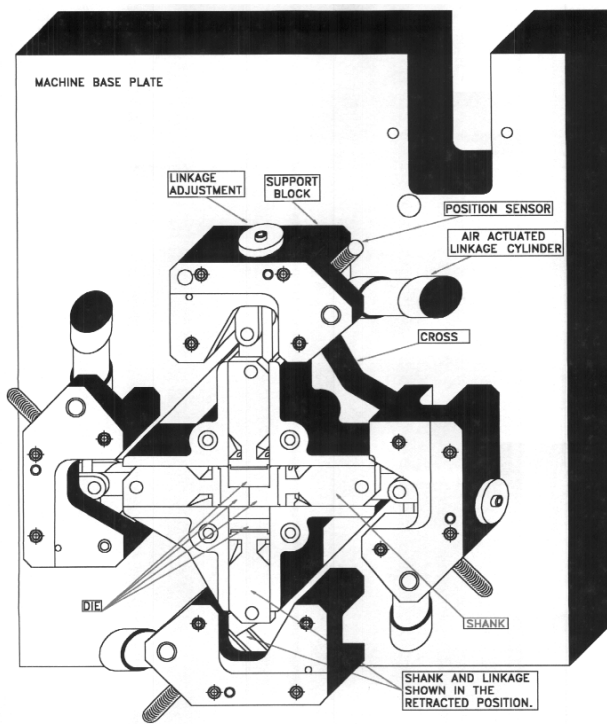


Figure 4B-5 Typical gating system in a miniature die casting die.

# Engineering & Design: Miniature Die Casting

COMPONENT	MATERIAL	HARDNESS
Die	T-1 M-2 H-13	56-58 HRC 56-58 HRC 46-48 HRC
Inserts/Subinserts	H-13	46-48 HRC
Shank	S-7	54-56 HRC
Ejector Plate & Carrier	S-7	54-56 HRC
Ejector Pins	H-13	65-74 HRC Case Hardened
Core Pins	H-13	50-55 HRC Hardened Through
Crosshead/Frame	Gray Cast Iron	N/A

*Construction materials and hardness requirements for typical miniature die components.*



*Figure 4B-6 Miniature die casting die shown without clamps.*



*Figure 4B-7 Miniature die casting die shown with clamps.*

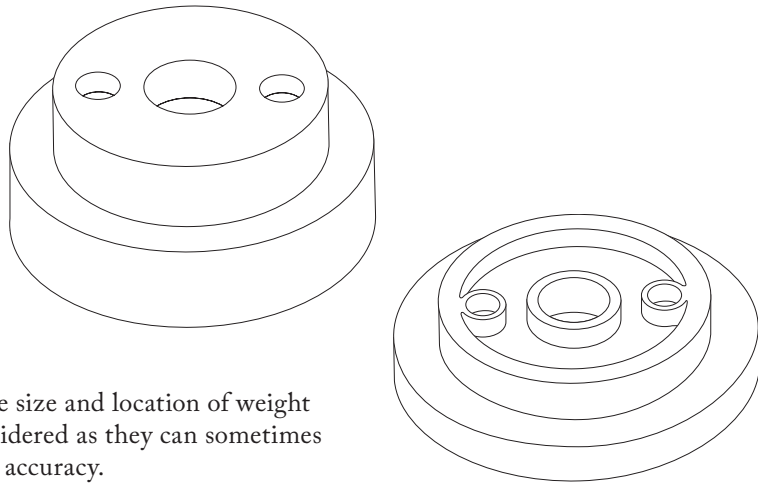
## 5 Design Consideration for Miniature Die Castings

One of the factors that separate miniature die casting from conventional die casting is the use of tools with fewer cavities. While production costs can be greatly reduced by the use of dies with multiple cavities instead of a single cavity, it must be remembered that the cost of the die increases with each cavity and that some loss of dimensional continuity will probably occur from cavity to cavity. However, because they produce several parts for every casting cycle, multi-cavity dies are practical for designs where quantities are very high.

Both the casting designer and the purchaser will benefit from a basic understanding of the following design hints and by involving your die caster as early as possible. The experience that he can share with you will help you design a better part at lower cost.

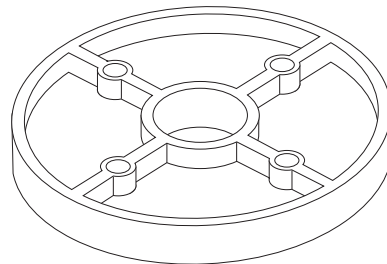
### 5.1 Weight Reduction

Reducing the volume of material needed to produce a part will reduce material cost. The more metal the part contains the longer the time required to fill the die cavity and cool the metal prior to ejection, thus adversely affecting run rates. Weight reduction can be achieved by reducing the cross section or by designing pockets. These thinner sections can be strengthened if needed with ribs which can also improve metal flow. The size and location of weight reduction pockets need to be carefully considered as they can sometimes cause irregular shrinkage which may affect accuracy.



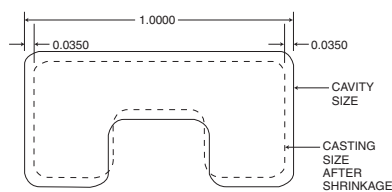
### 5.2 Ribs

Ribs can be added to thin walled castings to increase part strength. In addition, these ribs provide an ideal location for ejector pins and assist in metal flow. Where possible, ribs should be blended with fillets and radii to eliminate sharp corners and rapid changes in cross section.



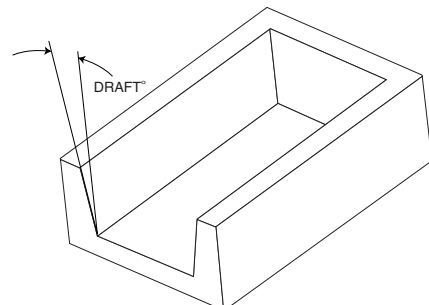
### 5.3 Shrinkage

Virtually all metals shrink as they cool to room temperature. With the two most commonly used zinc alloys, #3 and #5, this shrinkage is approximately .007 in. per inch. This shrinkage, which is always towards the theoretical center, permits the casting to be released from the outside walls of the cavity but tends to lock it onto any die section that projects into it. This tendency can be reduced by designing “draft” into the part.



### 5.4 Draft

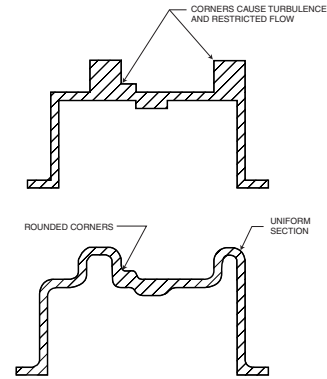
Draft is the slight taper on the sides of cavity inserts which form any internal features of a die casting. Draft is needed to make it easier for the ejector pins to push the casting out of the cavity. Surfaces of the cavity that have draft are usually highly polished for improved ejection. If no draft is provided the die caster may be forced to use some of the dimensional tolerance for draft. However, minimal or no draft is required to push or strip the casting out of the cavity when a stripper is used.



# Engineering & Design: Miniature Die Casting

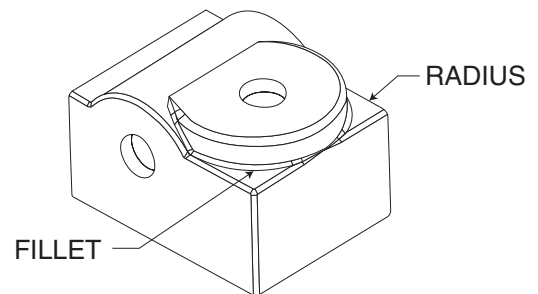
## 5.5 Uniform Cross Section

By improving metal flow through the die, uniform cross sections can speed up the casting cycle. On the other hand, excessive changes in cross section can cause turbulence in the die cast metal. This tends to trap air which results in porosity. A further consideration is that castings with large differences in cross sections tend to shrink irregularly.



## 5.6 Fillets & Radii

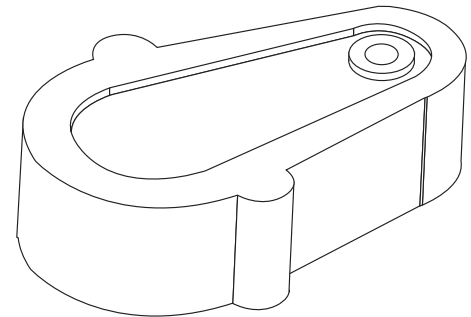
It is very important to avoid sharp corners, especially when they are associated with a rapid change in cross section. Whenever possible, an inside corner should be designed with a fillet – an outside corner with a radius. This is necessary to ensure good results when plating operations are a requirement. Eliminating sharp inside corners also gives added strength to the casting and can improve fill by reducing turbulence. Radii & fillets as small as .005" can make noticeable improvements to a casting.



## 5.7 Surface Finish

The surface finish of die castings are directly related to the finish on the tool itself. As a result, highly polished tooling can be expected to give good surface finishes on the castings. Miniature die cast parts are generally cast with surface finishes between 32 and 64 microinches.

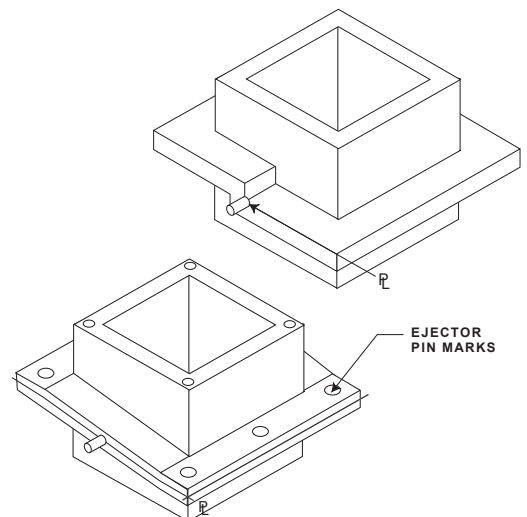
Of the many textured finishes that your die caster can produce, a matte finish is usually the easiest. Matte finishes are usually specified to improve the appearance of a casting or to highlight a logo or trademark.



## 5.8 Parting Lines & Ejector Pins

The plane where the two halves of the die meet, is called the parting line. The outside shape of the part determines where the parting line must go. As a general rule the parting line should be kept as flat or straight as possible. If this cannot be done, changes from one level to another should be as gradual as possible.

Castings are removed from the die by ejector pins. Good toolmaking practices can reduce the "witness" marks, but you will still be able to see where they are located. A designer may specify certain surfaces which must be free of parting lines and ejector pins but you should give your die caster as much leeway as possible.

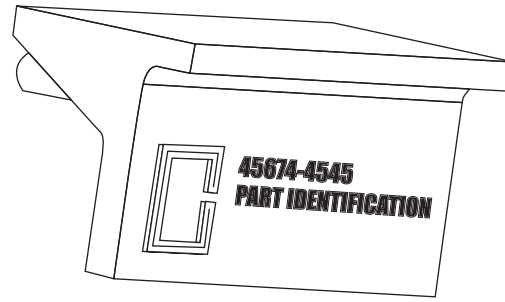




# Engineering & Design: Miniature Die Casting

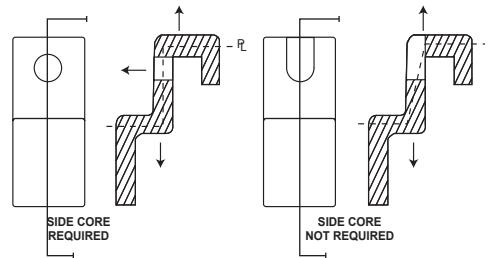
## 5.9 Part Identification

The designer should consider what identification marks are to be cast into the part and where they can be permitted. All too often the die caster is asked to add a part number or other identification to the casting after the die has been built and sampled. This can be very costly to do at this stage. Many die casters like to identify their castings with their logo and the cavity number in which the part was cast. Die casters usually find it easier to produce raised letters as these require less work in the die.



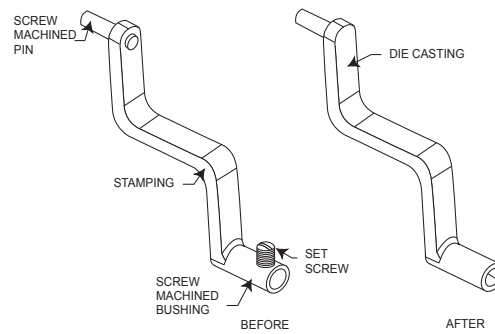
## 5.10 Side Cores

Side cores are required to produce holes or undercuts that are parallel with the major parting line of the die. As they add substantially to the tool cost, side cores should be designed out wherever possible. The line drawing showing one of the ways side cores can be avoided.

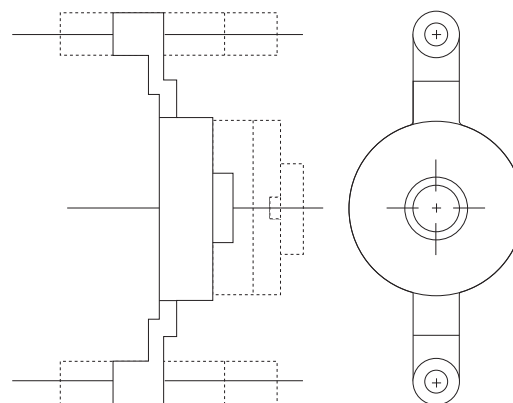


## 5.11 Combining Functions

Probably the most effective way to reduce costs is to combine several parts into one die casting. There are many benefits from this, including reduced production costs, as well as less handling, storage and assembly costs. Often this results in a superior product as the design is less complex. The part illustrated was originally produced in steel from two screw machined parts and a stamping. Die casting eliminates the need to manufacture the parts separately, drill and tap the cross hole, as well as pressing the parts together. The “D” shaped hole eliminated the set screw and tightening operation when the part was used in the final assembly.



### VARIOUS



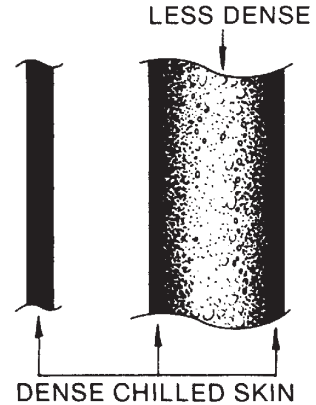
## 5.12 Variations

Savings can also be realized when there are a number of different, but similar parts to be made. For instance, an appliance manufacturer may use the same electric motor to power several different appliances. To accommodate this, several variations of bearing brackets having slightly different configurations, may be required. In these instances, a die can be designed with multiple inserts so that one basic tool is capable of producing the different variations. If variations of the part being considered will be required in the future you should give your die caster all the details before he begins designing the tool. The line drawing illustrates some of the different parts that could be produced from one basic die which is designed with replaceable inserts.

# Engineering & Design: Miniature Die Casting

## 5.13 Skin

One big advantage of “as-cast” parts is the dense “chilled skin” on the outer surface which has higher mechanical properties than the rest of the casting. Designers should therefore avoid machining this harder, denser material especially on wear surfaces.

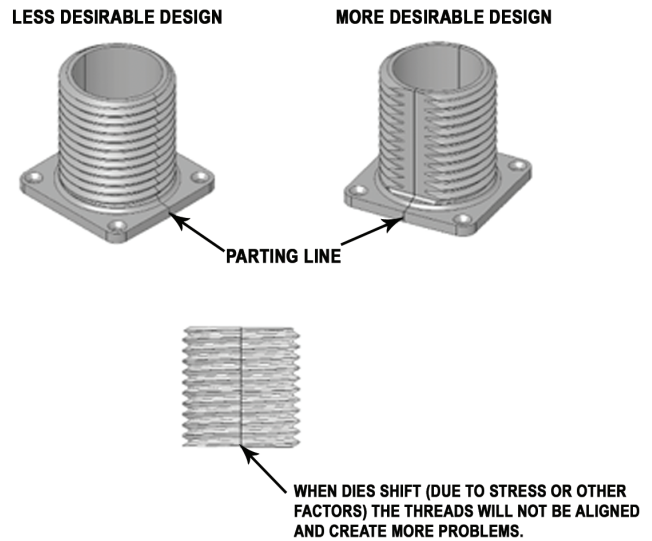


## 5.14 Gears

Miniature die casting can produce external, internal, face, helical, spur and worm gears. Virtually any tooth form can be cast, including one with up to a 20° helix angle. AGMA 6-8 standards can be maintained depending on the component configuration. Shafts, ratchets and cams can also be incorporated into gear components through insert die casting.

## 5.15 Threads

**External Threads**  
-Unlimited configurations of external threads can be miniature die cast and can incorporate up to 100 threads per inch. However, to cast full diameter threads (360°) very demanding toolmaking standards must be maintained as the parting line runs the full length of the thread. Though possible and very impressive when done properly, full diameter threads are generally not necessary.



Wherever possible, flats to the root diameter of the thread should be allowed at the parting line. This will reduce complexity in the die and thus lower initial tooling charges and piece part costs.

**Internal Threads** - Internal threads can be cast using a mechanism designed to rotate a core in the die cast die. This adds cost to the die and the piece part. Generally internal threads are tapped as a secondary operation for cost efficiency and speed. Form taps are typically used to eliminate the process of removing cutting chips from the hole.

## 5.16 Insert Die Casting

Insert die casting can be used when design requirements necessitate the integration of components manufactured from other materials. There are systems available that load the components into the cavity of the die cast die and the zinc component is then die cast around it. Insert die casting can be a costly option and may require a dedicated die casting machine.

## 5.17 Crimping, Staking, Bending and Forming

Zinc alloys are capable of being crimped or staked, after die casting for assembly operations. Secondary operations are dependent on wall thickness, alloy type, gate location and application temperature.



---

# Engineering & Design: Miniature Die Casting

## 6 Available Finishes

Chromates, platings, paints and powder coatings are the most common surface finishes. Chromates are conversion coatings applied through electro-chemical treatments to improve corrosion resistance. These treatments convert the metal surface to a superficial layer containing a mixture of chromium compounds of various colors and resistance.

Chromated components are corrosion tested in a 5% continuous salt spray environment as outlined in ASTM standard B117. The following colors exhibit the varying performances; olive drab – 96 hours of protection, bright yellow – 48 hours of protection and clear – 24 hours of protection.

Platings are applied to small zinc components for aesthetic purposes, and to improve corrosion resistance, conductivity, hardness, wear resistance and solderability. The most common applied platings are: Nickel, Brass, Tin, Copper, Silver and Gold.

Paints are used primarily for decoration, protection, identification, concealing surface irregularities or for increasing/decreasing surface friction.

Powder coatings provide a protective and attractive finish to components. They cover evenly, have the ability to conceal surface imperfections, and provide good corrosion resistance.

For more information on finishes and coatings, see Section 6.

## 7 Castable Zinc Alloys

Zinc alloys are used in the production of small components because they are versatile, dependable, cost effective materials which can be used in an unlimited range of applications. As precisely formulated metal alloys, they offer the mechanical properties of medium strength metals.

The most commonly used zinc alloys in miniature die casting are #2, #3, #5, #7 and ZA-8. These alloys offer higher tensile strengths than most aluminum and magnesium alloys, higher yield strengths, greater impact resistance, higher Brinell hardness and better ductility.

Zinc alloys facilitate higher die casting cycle speeds versus aluminum and magnesium, more complex shapes, thinner wall sections, smoother surface finishes, and higher standards of dimensional accuracy.

Compared to plastic, zinc alloys are generally several times stronger and many times more rigid. Their mechanical properties compare favorably with powdered iron, brass and screw-machined steel.